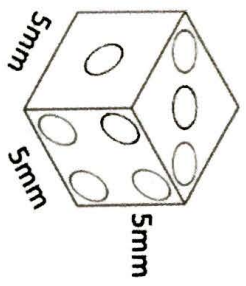
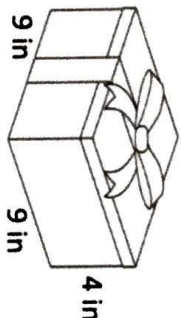
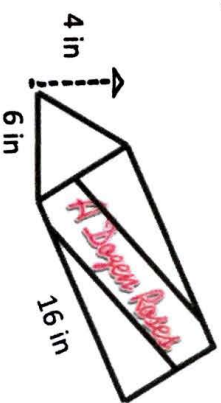



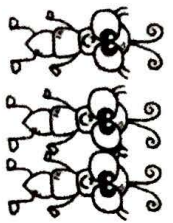
NAME \_\_\_\_\_

DATE \_\_\_\_\_

TEACHER \_\_\_\_\_

# What do you call a 200-year-old ant?

<p><b>I</b></p>  <p>_____ mm<sup>3</sup></p>	<p><b>E</b></p>  <p>_____ in<sup>3</sup></p>	<p><b>B</b></p>  <p>_____ in<sup>3</sup></p>	<p><b>N</b></p>  <p>_____ m<sup>3</sup></p>
<p><b>Q</b></p> <p>A filing cabinet is 5 feet tall, 1.5 feet wide, and 2 feet long. Find the volume.</p> <p>_____ ft<sup>3</sup></p>	<p><b>A</b></p> <p>A bookcase is 72 inches tall, 48 inches wide, and 15 inches deep. Find the volume.</p> <p>_____ in<sup>3</sup></p>	<p><b>T</b></p> <p>A triangular camping tent has the following measurements: 6 ft(height) by 10 ft(width) by 10 ft(depth). Find the volume.</p> <p>_____ ft<sup>3</sup></p>	<p><b>U</b></p> <p>A skateboard ramp is shaped like a triangular prism. Its base is 3 meters, its height is 2.5 meters, and it's 8 meters long. Find the volume.</p> <p>_____ m<sup>3</sup></p>



51,840

200



51,840

200

300

125

15

30

324

