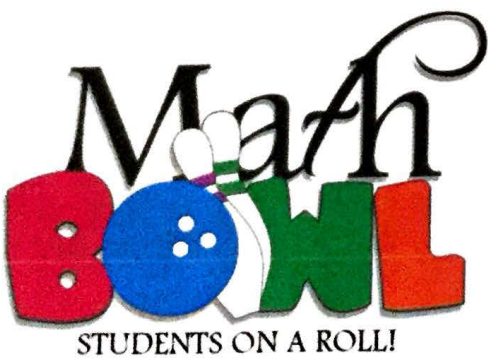
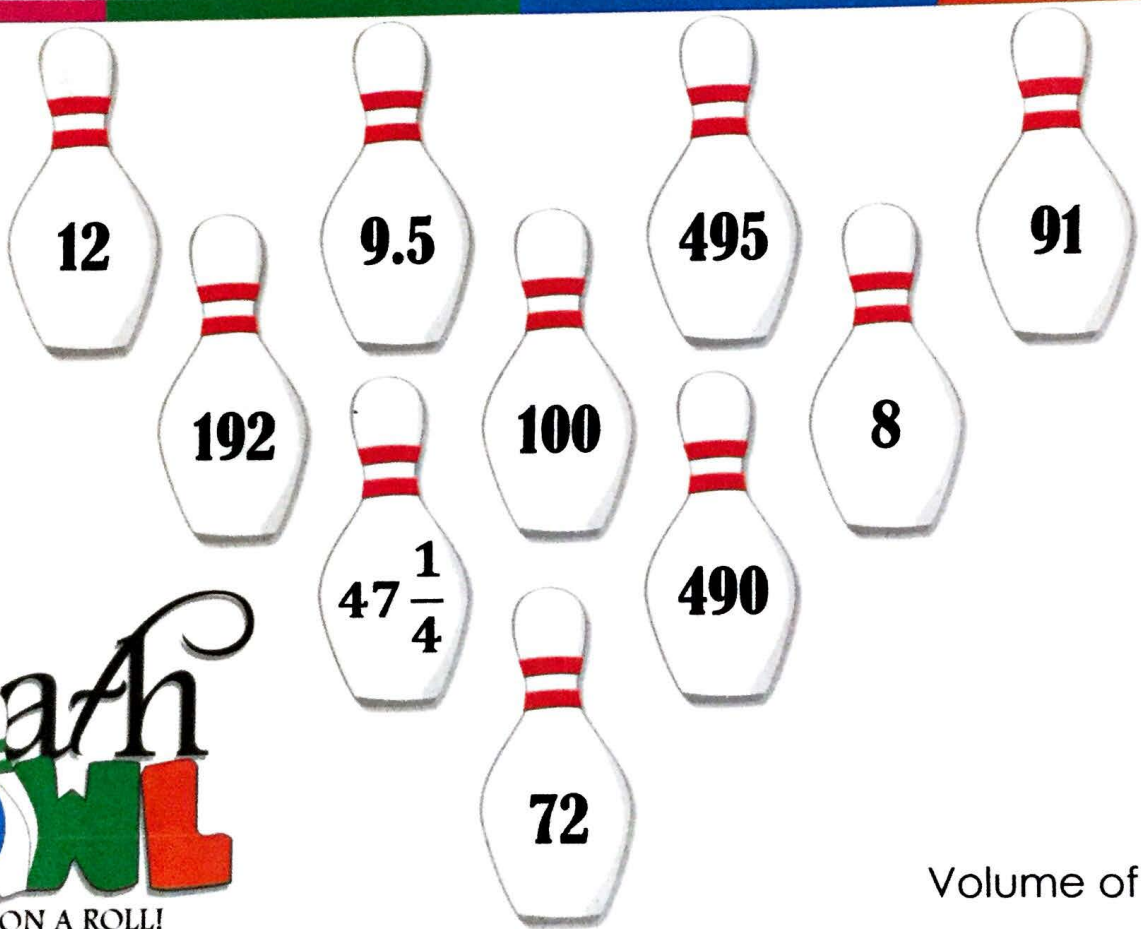


BOWLING WITH VOLUME OF PRISMS

- 1) Solve the ten problems on the sheet provided for your work. Match the bowling image to know where to put each problem.
- 2) Find your answers on the bowling pins below and see if you can knock them all down with correct answers.

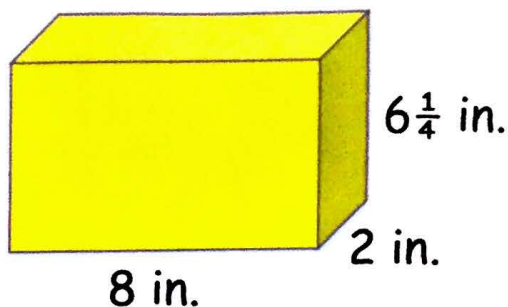


Volume of Prisms

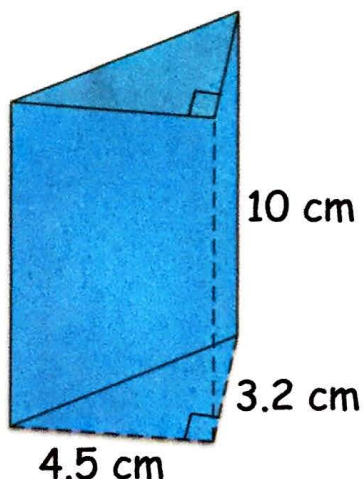
A rectangular prism has a volume of 76 cubic centimeters and a height of 8 centimeters. What is the area of its base?



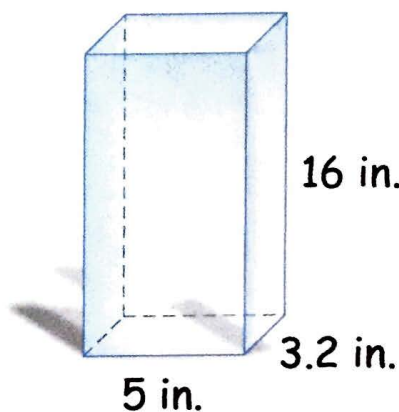
Determine the volume of the rectangular prism shown below.



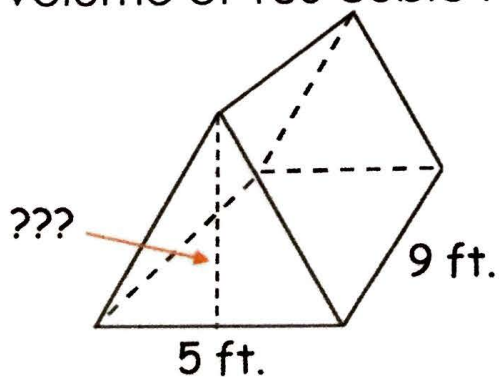
Find the volume of the figure shown below.



What is the volume of the figure shown below after its height has been reduced by 25%?



The triangular prism below has a volume of 180 cubic feet.

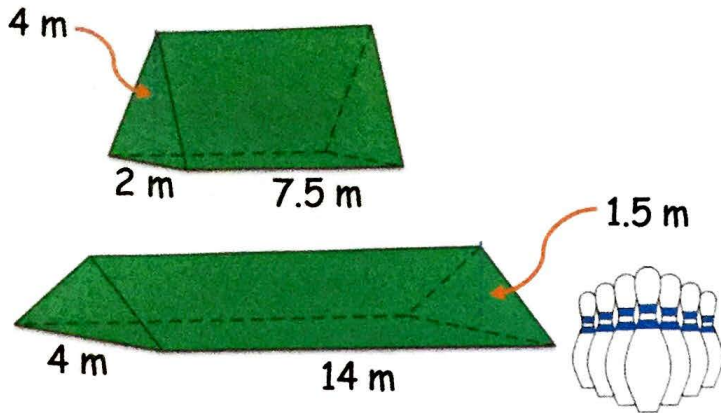


What is the height of the triangular base?

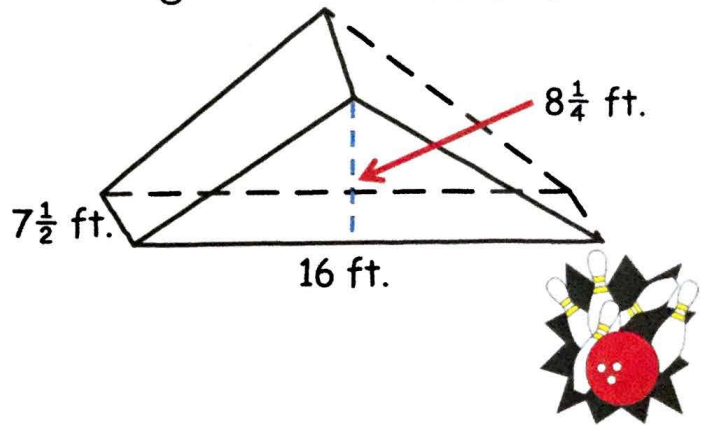
Jason's favorite cup is in the shape of a rectangular prism. The base area is 3 inches by 4.2 inches, and the height is 7.5 inches. How much water is needed to fill the cup half way?



Maison purchases two candy bars. What is the difference in the volume of the two candy bars Maison purchases?



Carson drew a sketch of the rooftop of his treehouse. Determine the volume of the figure shown below.



Determine the volume of a triangular prism that has a base area of 35 cm^2 and a height of 14 cm .




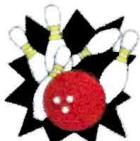



Yemi has a set of wooden blocks that are shaped like rectangular prisms. Each block is 3 centimeters long, 2.5 centimeters wide and 4 centimeters tall. How many of these blocks would be able to fit into a box that is 30 centimeters long, 13 centimeters wide, and 7 centimeters high?

GUTTER BALL!

Name: _____ Date: _____ Class: _____

MATH BOWL: Volume of Prisms

Show your work here!

	
	
	GUTTER BALL!
