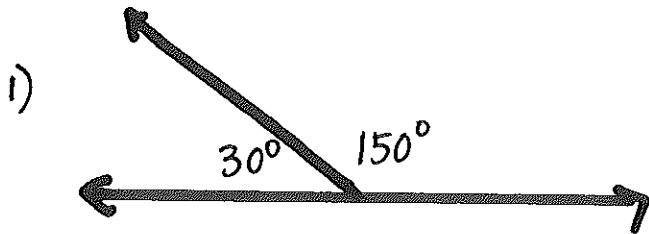


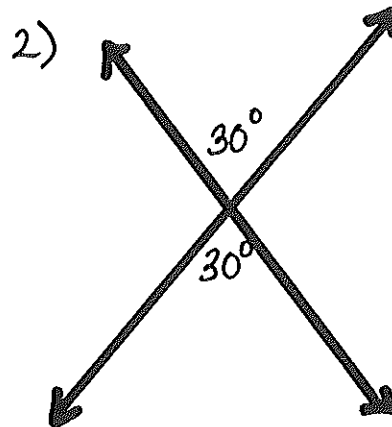
Name: _____

ANGLE PRACTICE

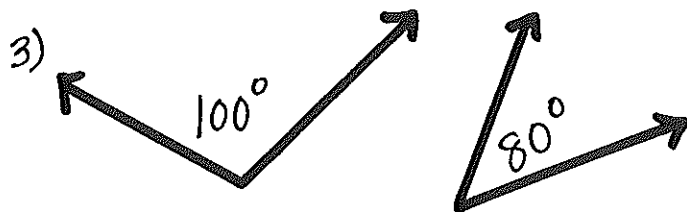
CHECK ALL THAT APPLY:



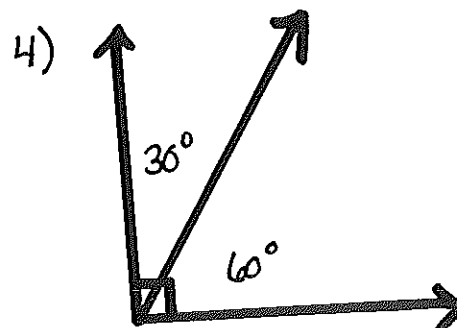
- Supplementary
- Complementary
- Adjacent
- Linear
- Vertical



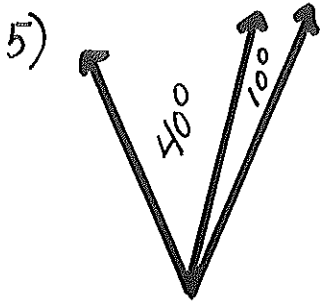
- Supplementary
- Complementary
- Adjacent
- Linear
- Vertical



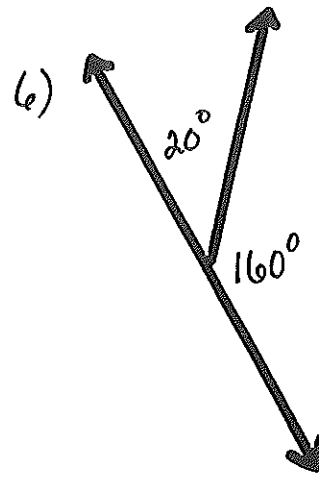
- Supplementary
- Complementary
- Adjacent
- Linear
- Vertical



- Supplementary
- Complementary
- Adjacent
- Linear
- Vertical

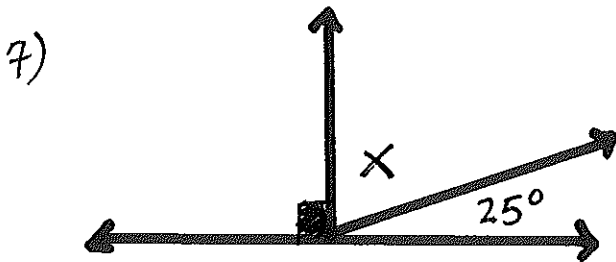


- Supplementary
- Complementary
- Adjacent
- Linear
- Vertical

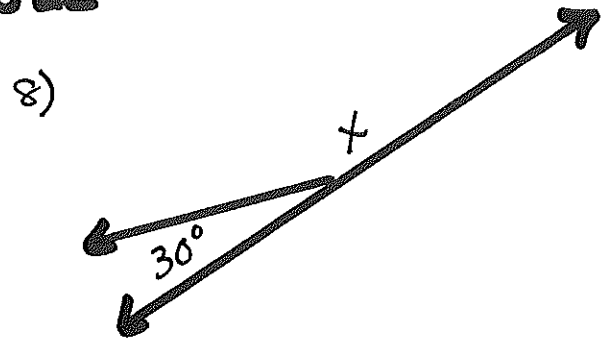


- Supplementary
- Complementary
- Adjacent
- Linear
- Vertical

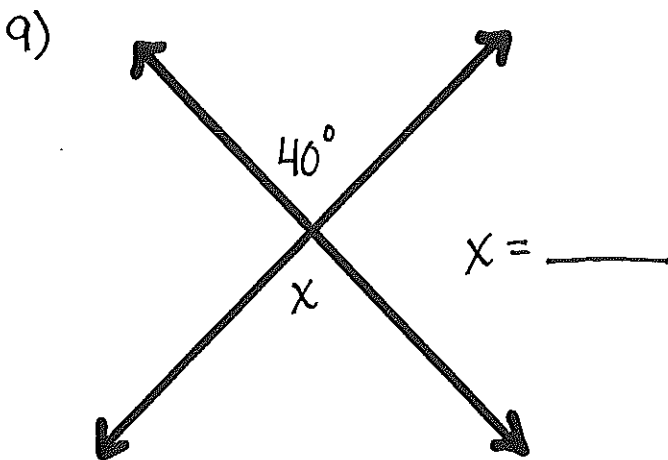
FIND THE MISSING ANGLE



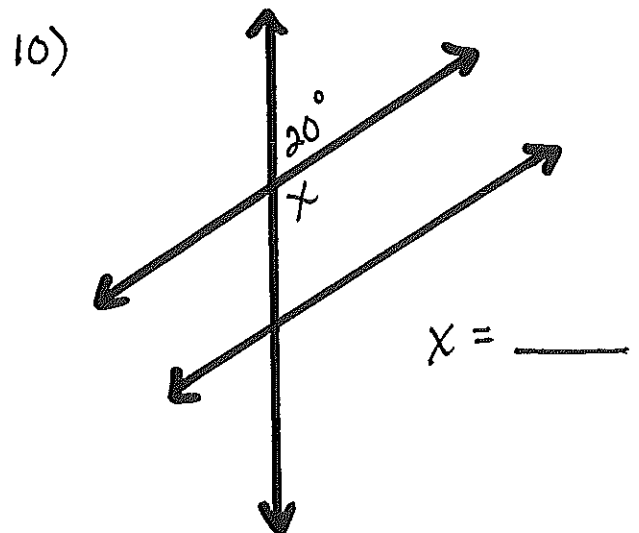
$X = \underline{\hspace{2cm}}$



$X = \underline{\hspace{2cm}}$

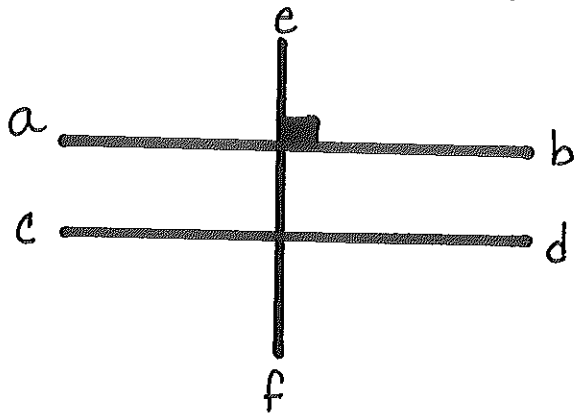


$X = \underline{\hspace{2cm}}$



$X = \underline{\hspace{2cm}}$

NAME THOSE LINES



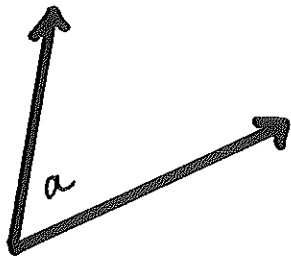
11) Name 2 parallel lines:

_____ & _____

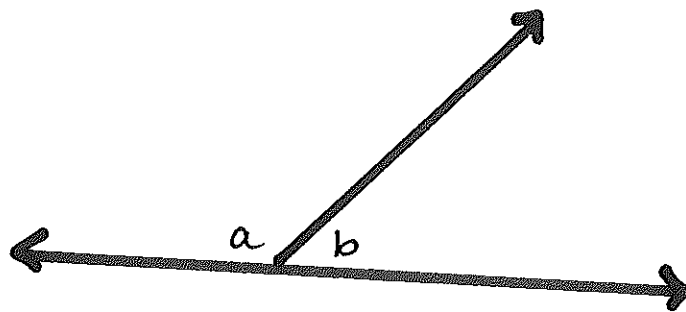
12) Name 2 perpendicular lines:

_____ & _____

MEASURING



13) $m\angle a =$ _____



14) $m\angle a =$ _____ 15) $m\angle b =$ _____

16) Name a pair of Complementary angles.

_____ & _____

17) Name a pair of Supplementary angles.

_____ & _____

18) Name a pair of Vertical angles.

_____ & _____

