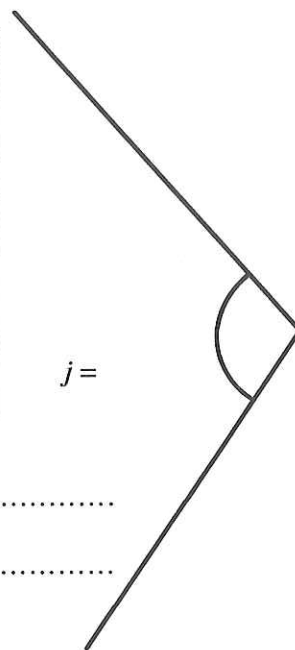
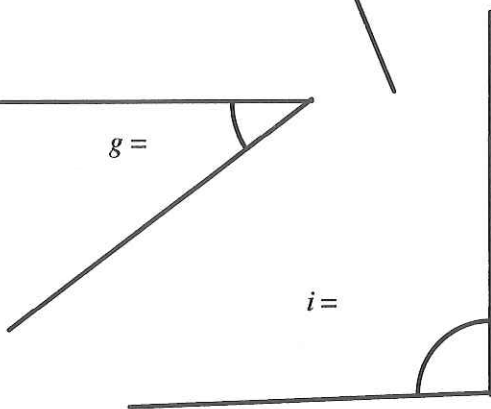
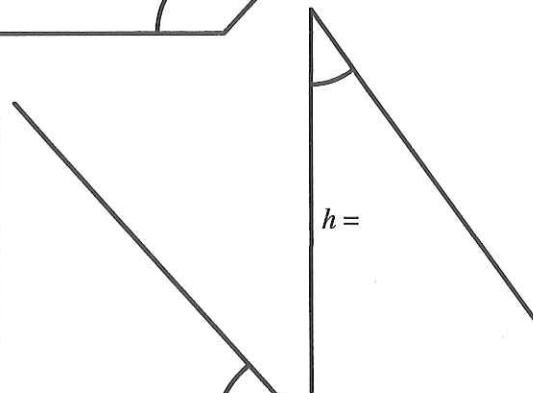
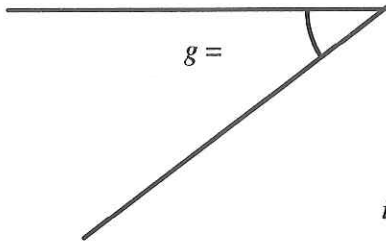
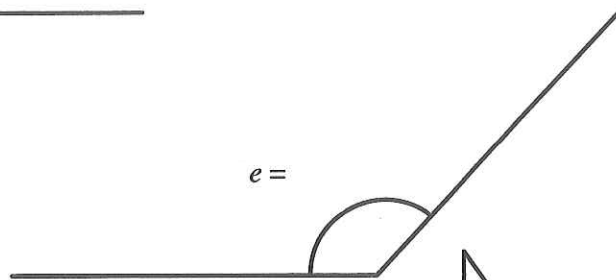
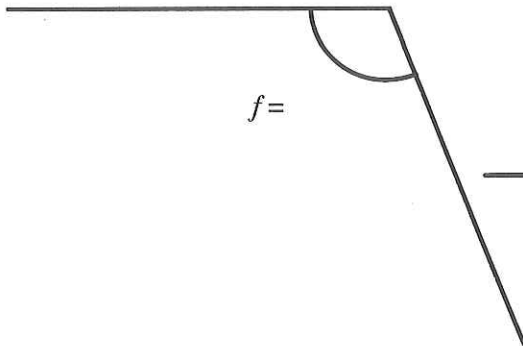
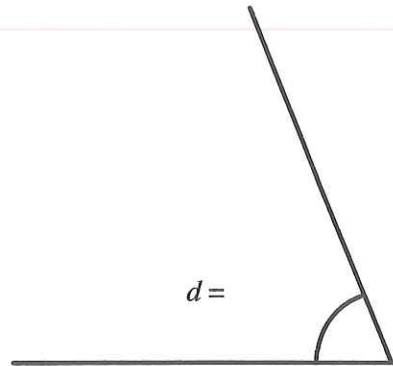
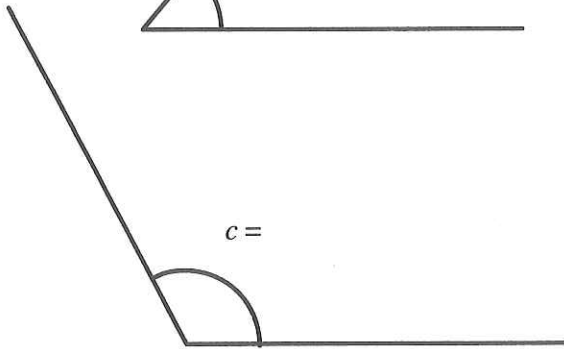
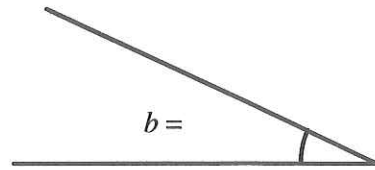
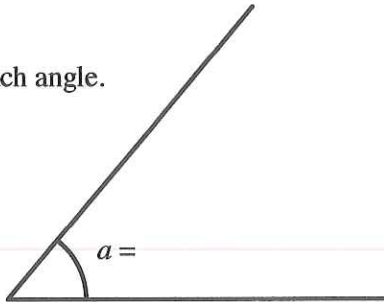


Angles

Worksheet

Your name:

Measure each angle.



Which of these angles are acute?

Which are obtuse?

