

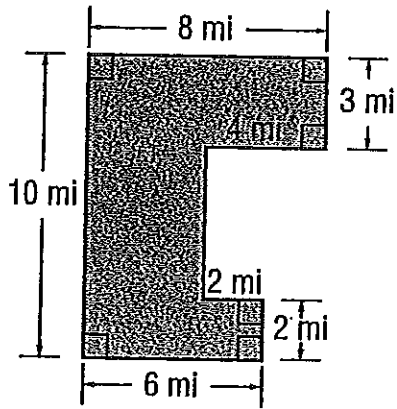
Name _____

Date _____

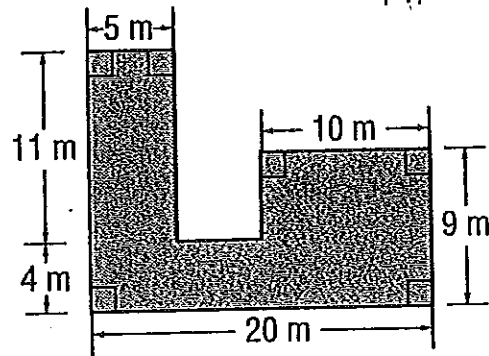
Period _____

Pre-Algebra Accelerated Finding Area of Composite Figures

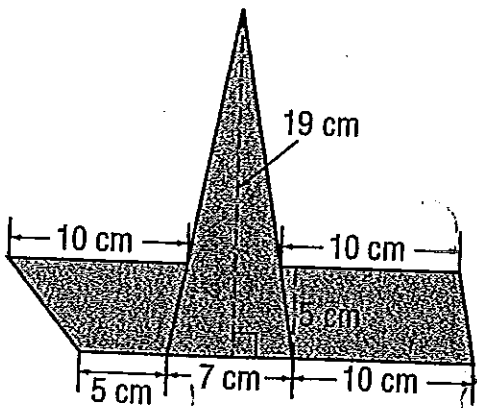
1.



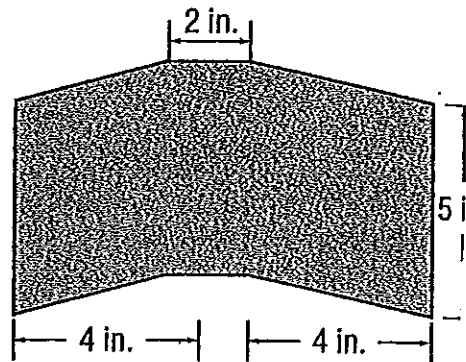
2.



3.

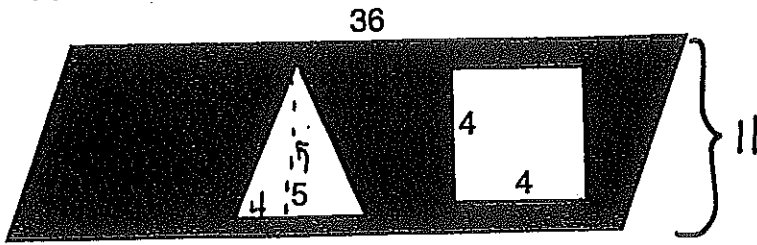


4.

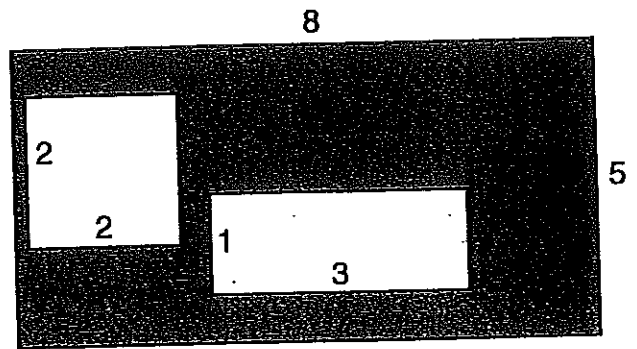


Find the shaded Region in each figure below:
 (all units are in ft)

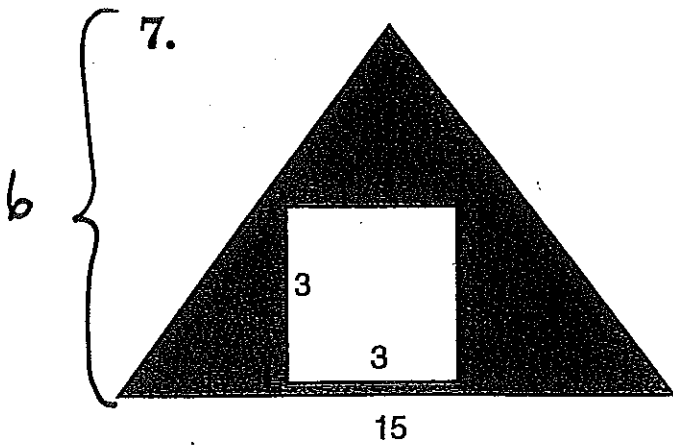
5.



6.



7.



8.

