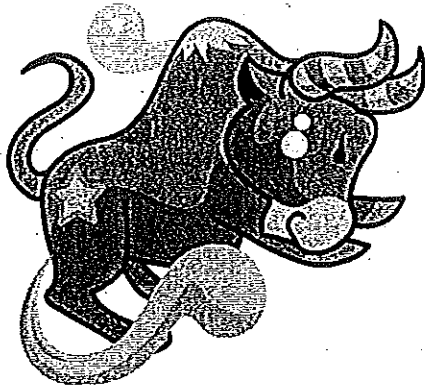


Name _____ Date _____

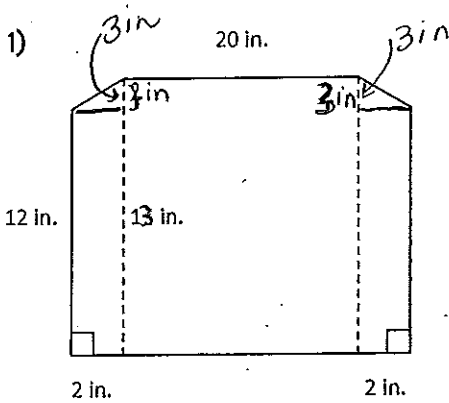


Riddle Page

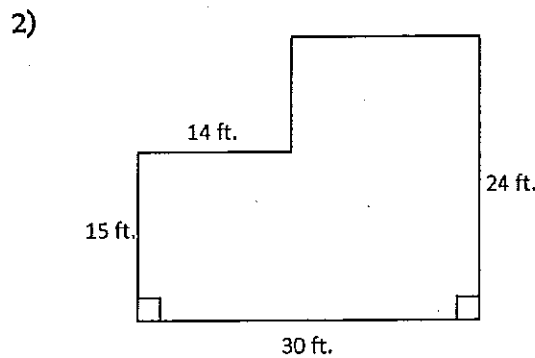
Area of Irregular Figures

Riddle: What do you call a sleeping bull?

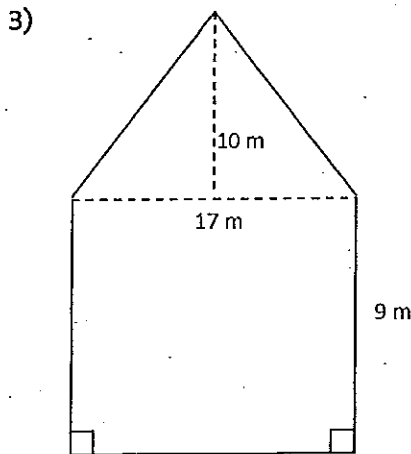
Directions: Find the area of each irregular figure. Plug in the correct letter to the corresponding problem number below to uncover the answer to the riddle. (Shapes not drawn to scale.)



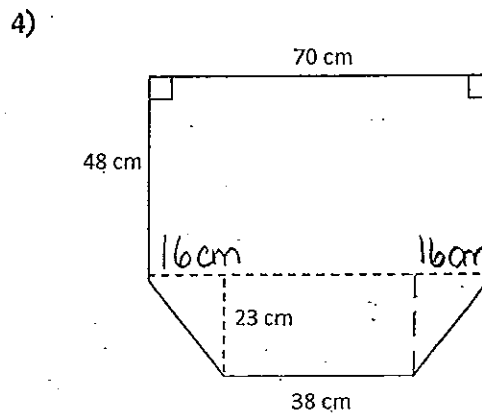
_____ in.²



_____ ft.²



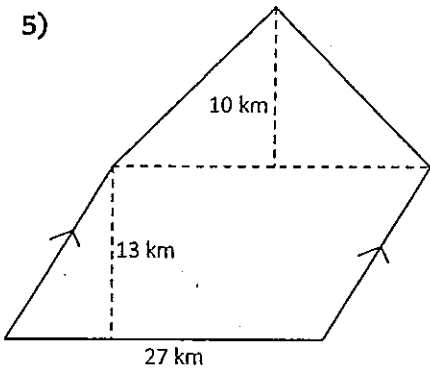
_____ m²



_____ cm²

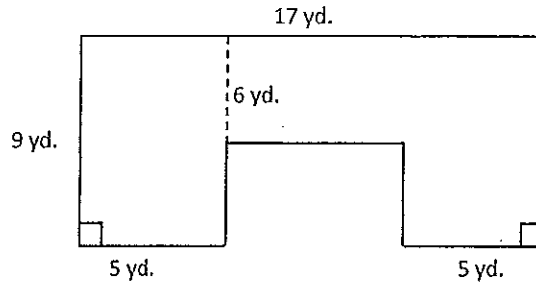
- R = 486
- E = 354
- L = 150
- D = 238
- U = 4602
- O = 132
- B = 594
- Z = 1360

5)



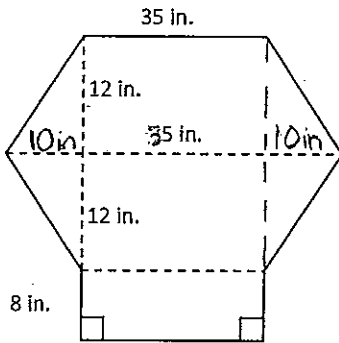
_____ km²

6)



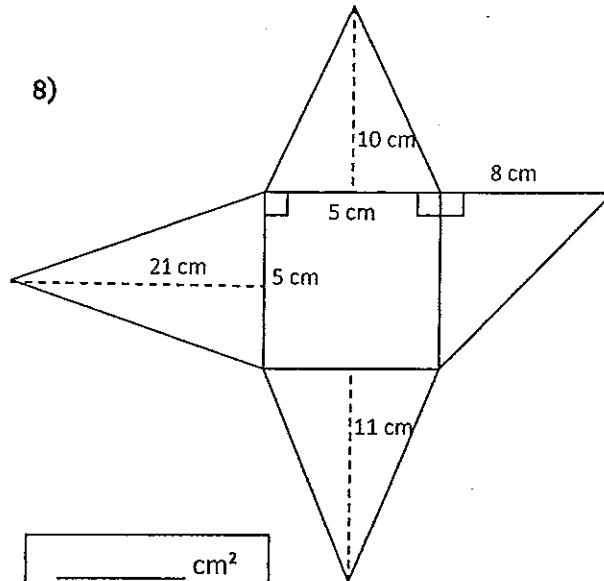
_____ yd.²

7)

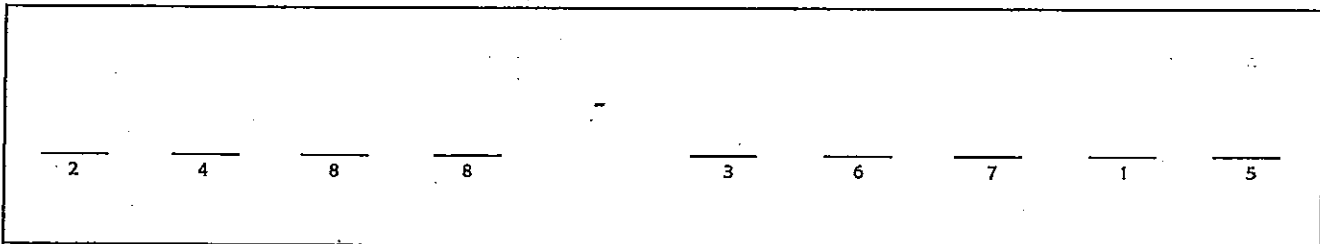


_____ in.²

8)



_____ cm²



Area of Trapezoid = $\frac{1}{2} h(b_1 + b_2)$

Area of Triangle = $\frac{1}{2} b \times h$

Area of Rectangle = $l \times w$

Area of Parallelogram = $b \times h$