

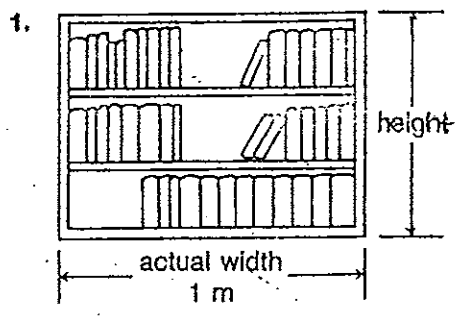
NAME \_\_\_\_\_

DATE \_\_\_\_\_

PERIOD \_\_\_\_\_

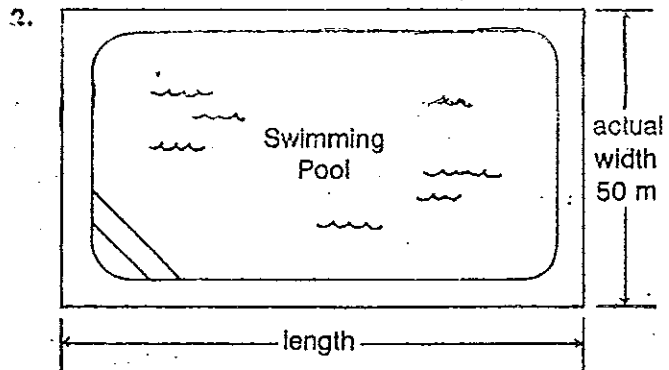
**PRE-ALGEBRA - ACCELERATED  
CHAPTER 8.3 USING SCALE**

Each of the following pictures is drawn to scale. One of the actual dimensions is given. Use a centimeter ruler to measure that dimension on the drawing and determine the scale.



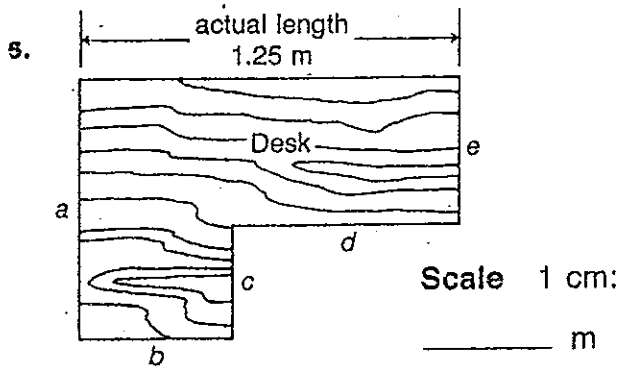
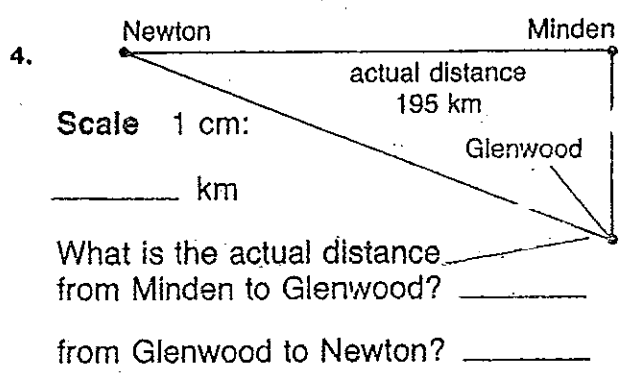
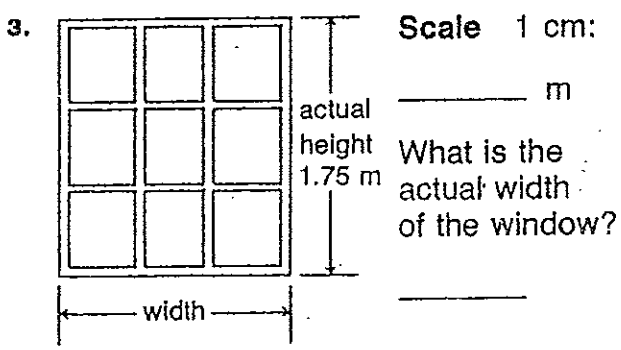
Scale 1 cm: \_\_\_\_\_ m

What is the actual height of the bookshelves? \_\_\_\_\_

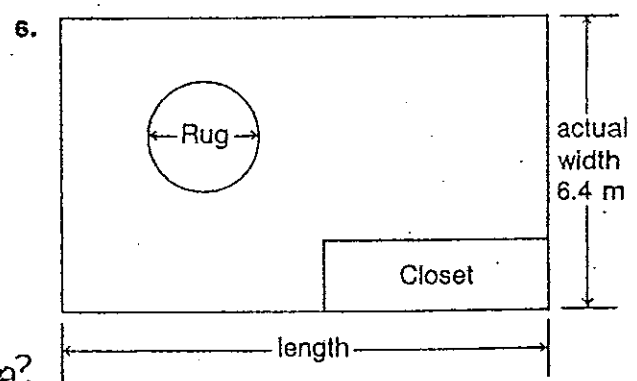


Scale 1 cm: \_\_\_\_\_ m

What is the actual length of the swimming pool? \_\_\_\_\_



What is the actual length of side a? \_\_\_\_\_ side b? \_\_\_\_\_ side e? \_\_\_\_\_  
side c? \_\_\_\_\_ side d? \_\_\_\_\_



Scale 1 cm: \_\_\_\_\_ m

What is the actual length of the room? \_\_\_\_\_