

NAME _____

DATE _____

PERIOD _____

PRE-ALGEBRA - ACCELERATED
CHAPTER 8.3 PROPORTIONS AND EQUATIONS CHALLENGE

Solve the proportion and then find x.

$$\textcircled{1} \frac{1}{4} = \frac{6}{x}$$

$$\textcircled{2} \frac{16}{x} = \frac{12}{9}$$

$$\textcircled{3} \frac{30}{4x} = \frac{10}{24}$$

$$\textcircled{4} \frac{5}{15} = \frac{x}{x+8}$$

$$\textcircled{5} \frac{x}{12-x} = \frac{10}{30}$$

$$\textcircled{6} \frac{16}{8} = \frac{21-x}{x}$$

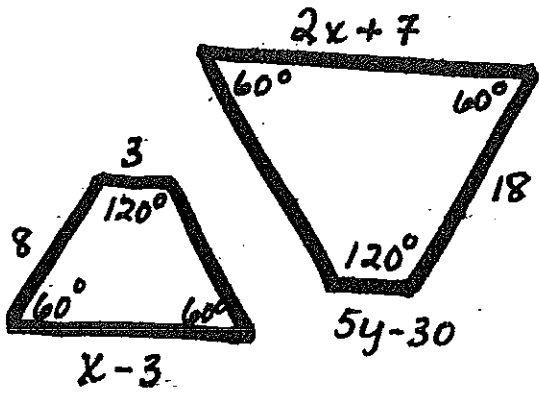
$$\textcircled{7} \frac{5}{x+2} = \frac{4}{x}$$

$$\textcircled{8} \frac{3x+3}{3} = \frac{7x+1}{5}$$

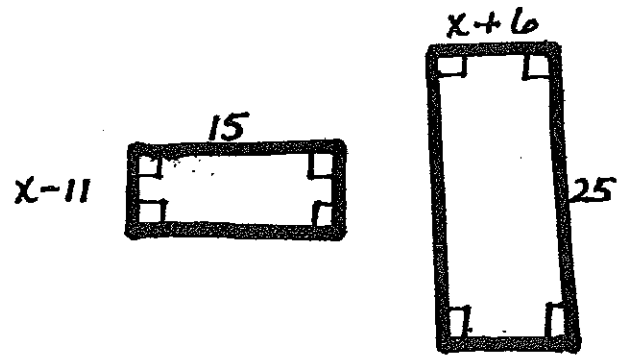
$$\textcircled{9} \frac{18(3x-1)}{5x} = \frac{3}{5}$$

$$\textcircled{10} \frac{-6(x-2)}{4} = \frac{-2x}{9}$$

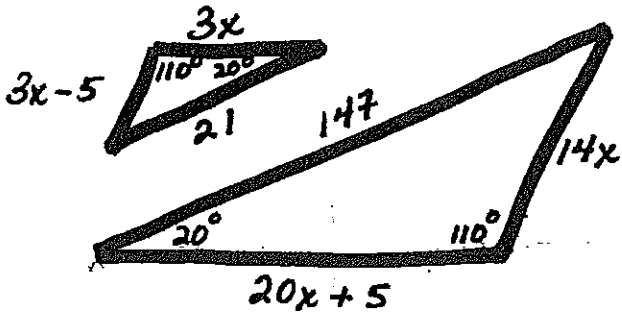
11



12



13



14

