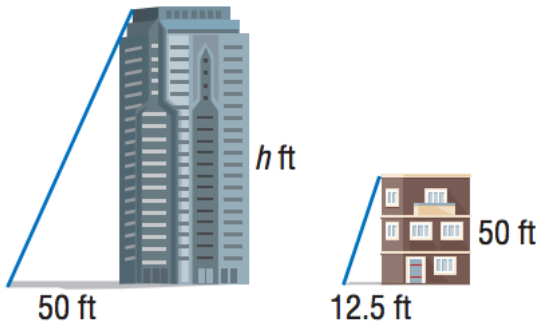
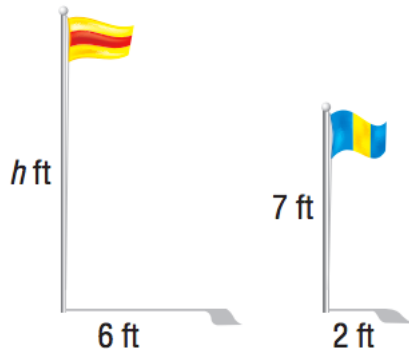


INDIRECT MEASUREMENT

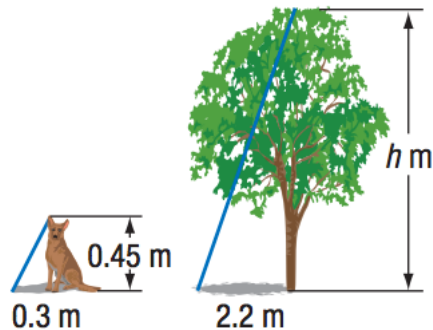
1) How tall is the building? Use a proportion and show your work!



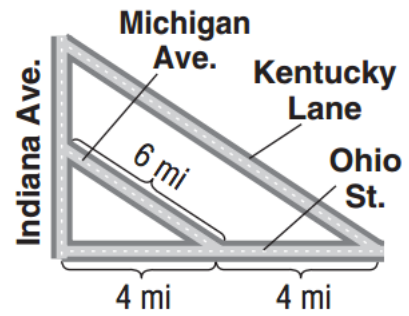
2) How tall is the taller flagpole? Use a proportion and show your work!



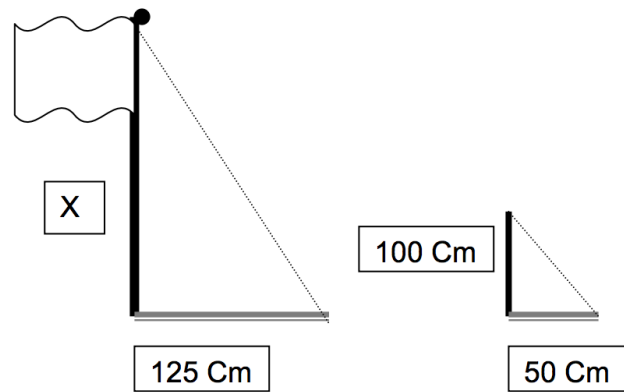
3) How tall is the tree? Show your proportion and your work.



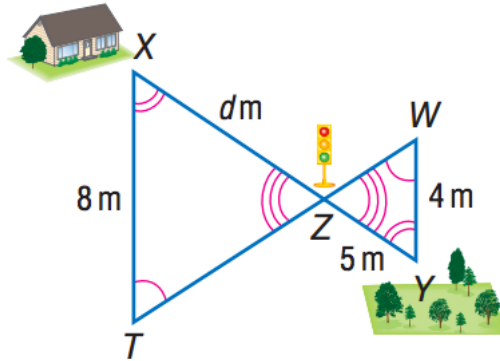
- 4) Find the length of Kentucky Lane. Show your proportion and your work.



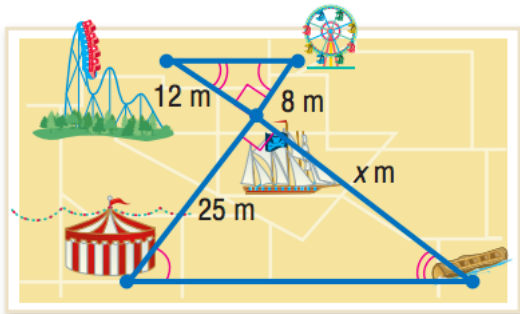
- 5) Find the height of the flagpole. Show your proportion and your work.



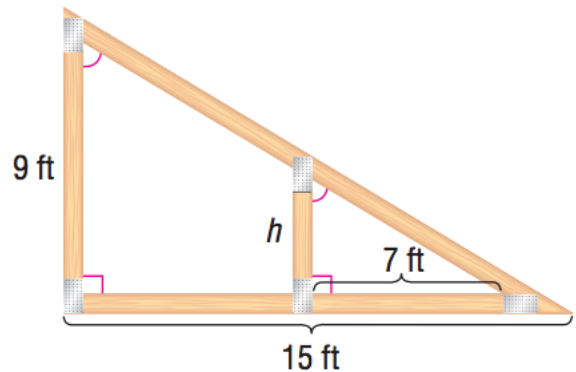
- 6) Find the distance from the park to the house. Show your proportion and your work.



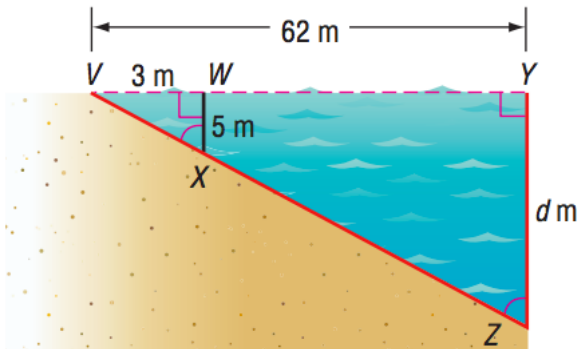
- 7) How far is it from the log ride to the pirate ship? Show your proportion and your work.



- 8) Find the height of the brace. Show your proportion and your work.



- 9) How deep is the water 62 meters from shore. Show your proportion and your work!



- 10) The Giant Wheel at Cedar Point in Ohio is one of the tallest ferris wheels in the country at 136 feet tall. If the Giant Wheel casts a 34-foot shadow, write and solve a proportion to find the height of a nearby man who casts a $1\frac{1}{2}$ -foot shadow. You may want to draw a picture, but be sure to show your proportion and all of your work.

- 11) At 7 feet, 2 inches, Margo Dydek is one of the tallest women to play professional basketball. Her coach, Carolyn Peck, is 6 feet 4 inches tall. If Ms. Peck casts a shadow that is 4 feet long, about how long would Ms. Dydek's shadow be? Round to the nearest tenth. Feel free to draw a picture. Show your proportion and your work.