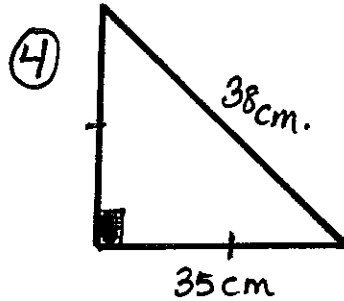
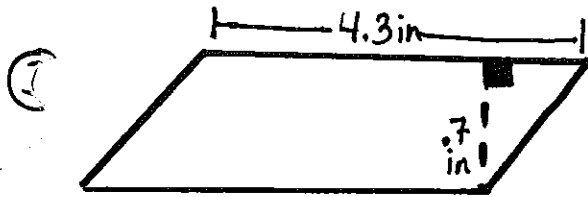
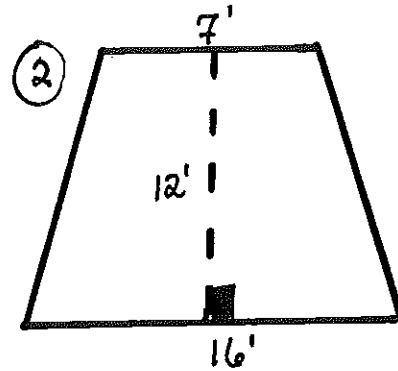
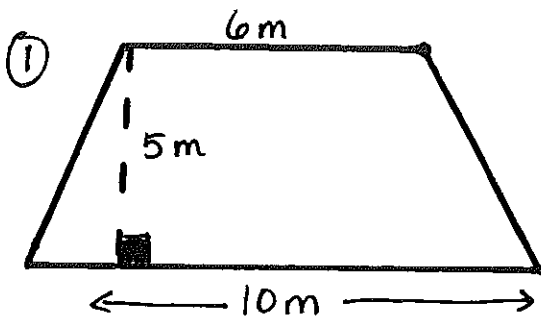
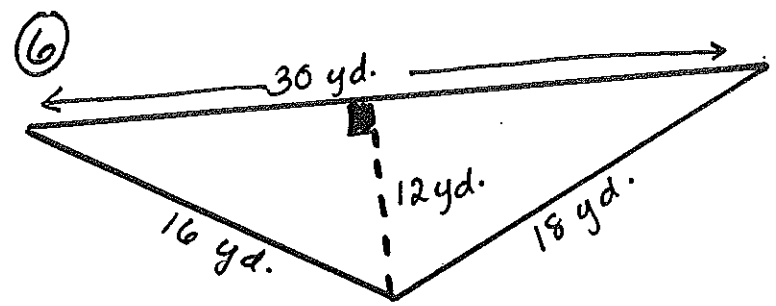
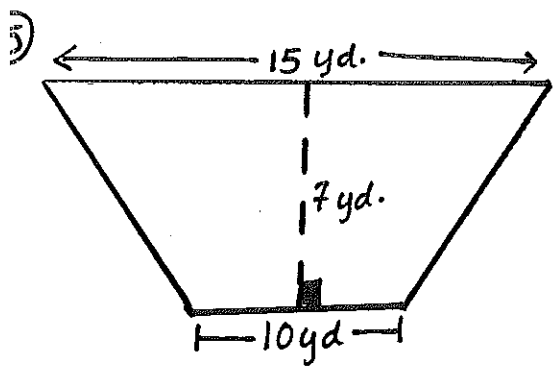


Quadrilaterals Triangles

Name _____

Find the area: (Show formula & all steps!)





Find the area of the shaded region:

