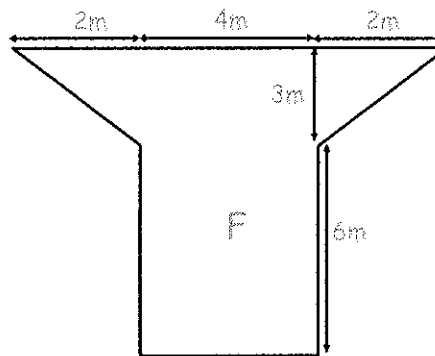
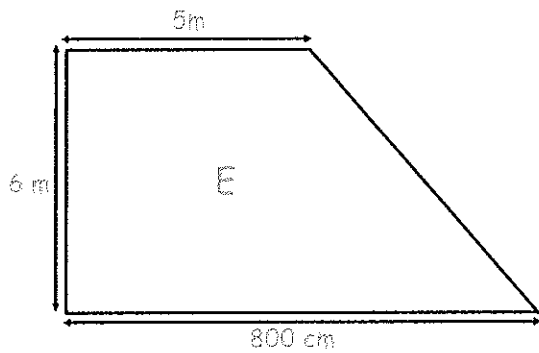
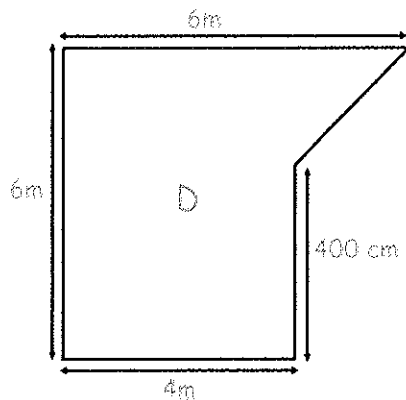
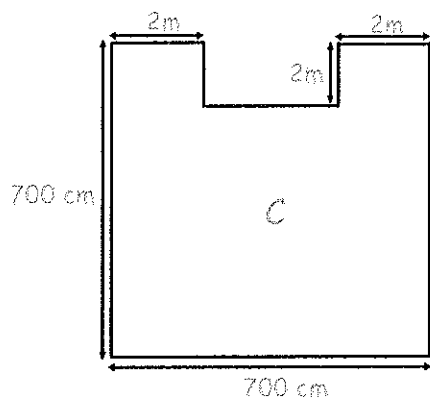
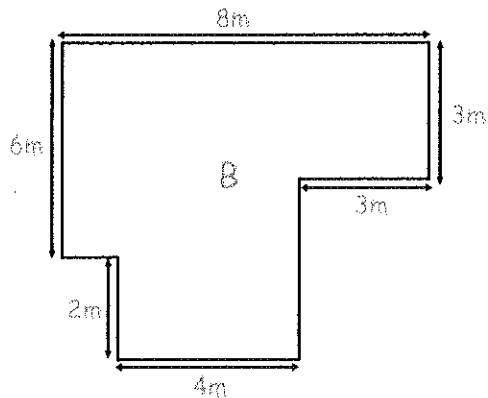
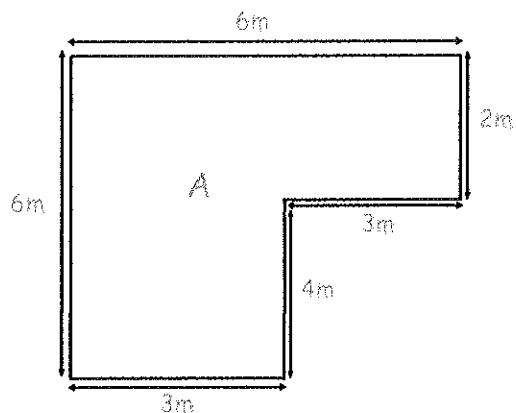
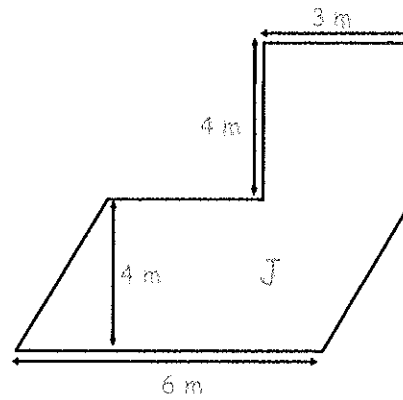
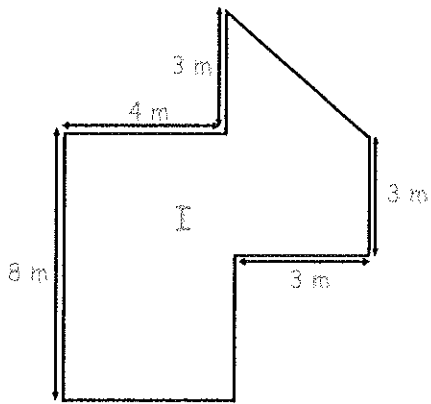
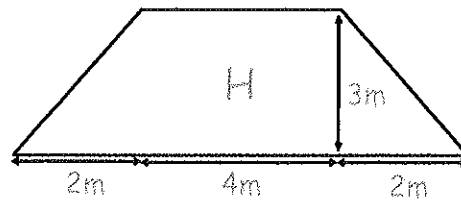
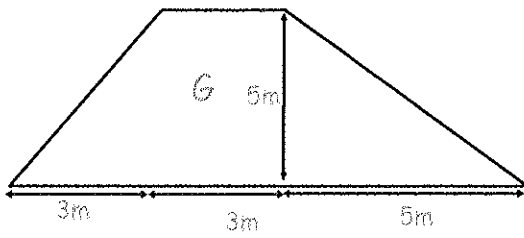


### Area of composite shapes

Use the composite shapes labelled A through J to answer the questions about area and perimeter.





**Tier A Questions**

What is the perimeter of shape A?

What is the area of shape A?

What is the area of shape B?

What is the area of shape C?

### Tier B Questions

What is the perimeter of shape B?

What is the area of shape D?

What is the area of shape E?

What is the area of shape H?

### Tier C Questions

What is the perimeter of shape C?

What is the area of shape F?

What is the area of shape G?

What is the area of shape I?

What is the area of shape J?