

MEMORIES FROM BOOT CAMP 1

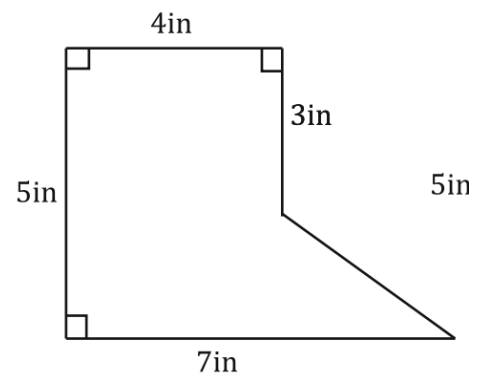
1) FILL IN THE CHARTS BELOW:

Number of Sides	Name of Polygon
3	
4	
5	
6	
7	
8	

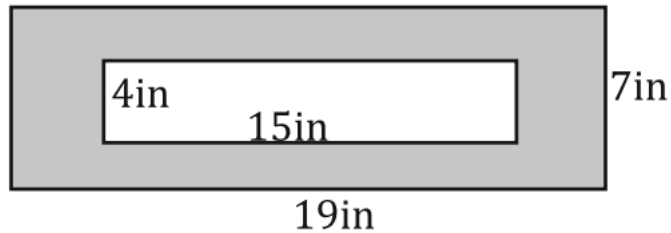
Number of Sides	Name of Polygon
9	
10	

- 2) In a quadrilateral, each of two angles has a measure of 37° . Another angle has a measure of 118° . What is the measure of the remaining angle?

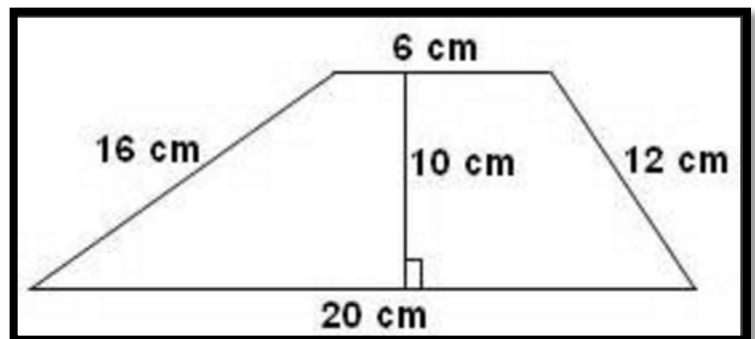
2) FIND THE AREA OF THE FIGURE.



3) FIND THE AREA OF THE SHADED REGION.



4) FIND THE PERIMETER AND AREA:



5) PERIMETER OR AREA?

_____ APPLYING A DECORATED STRIP
ALONG THE EDGE OF A PLANTER.

_____ A LOW RAIL AROUND A
FLOWER GARDEN.

_____ THE SPACE IN A PARKING LOT NEEDS TO BE ENOUGH TO HOLD ALL THE CARS.

_____ HANGING A BANNER ALL AROUND OUR CLASSROOM.

_____ THE SIZE OF THE LAND THAT MY HOUSE SITS ON..

6) JUST BY LOOKING AT THESE POLYGONS: WHICH SET HAS REGULAR POLYGONS AND WHICH SET DOES NOT. EXPLAIN WHY.



7)WHAT IS A DIAGONAL OF A POLYGON?
WHICH POLYGON HAS NO DIAGONALS? WHY?

8) WHAT IS THE MEASURE OF X?

